

**TWGEN-2400-2500-XX
Intelligent Generator**

Main Features

- Tunable transmitted power
- Frequency: 2.4 to 2.5 GHz
- Transmission timer.
- Touch screen interface.
- Ventilated cooling.

Typical applications

- Wireless telecom systems
- ISM Applications
- Aerospace and military applications
- Custom available



Electrical Specifications: Ta = + 25.

Parameter	Unit	Specification
Frequency range	GHz	2.4 – 2.5
Supply voltage	VAC	220 – 240
Output impedance	Ohm	50

Environment

Parameter	Unit	Specification
Operating temperature	°C	- 20 to + 50
Storage temperature	°C	-40 to + 70

Products and Product Information are Subject to Change Without Notice

TECHNIWAVE • Chemin de Montfort 78770 THOIRY France •Tél. : +33 (0)1 34 84 37 43 • E-mail : sales@techniwave.com • www.techniwave.com

TECHNIWAVE Proprietary Information • All rights reserved

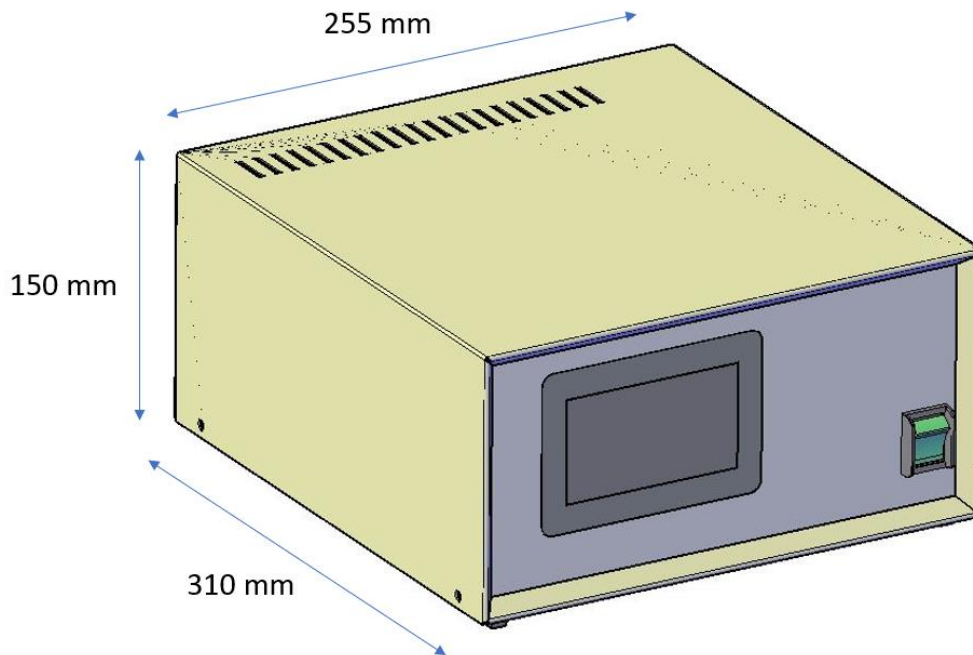
Revision : 00

Date: October 9th 2018

Mechanical Specifications

Parameter	Unit	Specification
Weight	Kg	6
Dimensions	mm	255 × 310 × 150
RF connector		N - Male

Outline Drawing



Nota:

TWGEN-2400-2500-XX

-XX:

- 01 for a power level max 30dBm
- 02 for a power level max 40dBm
- 03 for a power level max 50dBm
- 04 for a power level max 53dBm

Products and Product Information are Subject to Change Without Notice