

### Typical Applications

- BPF for 2852.5 MHz Band System
- Ground Radar applications

### Main Features

- High Reliability
- RoHS Compliant

### Electrical Specifications

| Parameter             | Unit | Specification  |
|-----------------------|------|--|
| Frequency Range       | MHz  | 2805 - 2900  |
| Max Passband loss     | dB   | 1.0 max @ 2805 - 2895 MHz<br>0.8 max @ 2810 - 2895 MHz   |
| Average Passband Loss | dB   | 0.5 max @ 2805 - 2900 MHz  |
| VSWR                  |      | 1.5 : 1 max  |
| Rejection             | dB   | 80 min @ 2500 MHz<br>80 min @ 2660 MHz<br>65 min @ 2680 MHz<br>60 min @ 2750 MHz<br>60 min @ 3000 MHz<br>60 min @ 3600 MHz |
| Average Power         | W    | 20 max CW  |
| Peak Power            | W    | 200 max CW   |
| In/Out Impedance      | Ohm  | 50 nominal   |

### Environment

| Parameter             | Unit | Specification          |
|-----------------------|------|------------------------|
| Operating Temperature | °C   | -10°C to +60°C, Indoor |

Products and Product Information are Subject to Change Without Notice

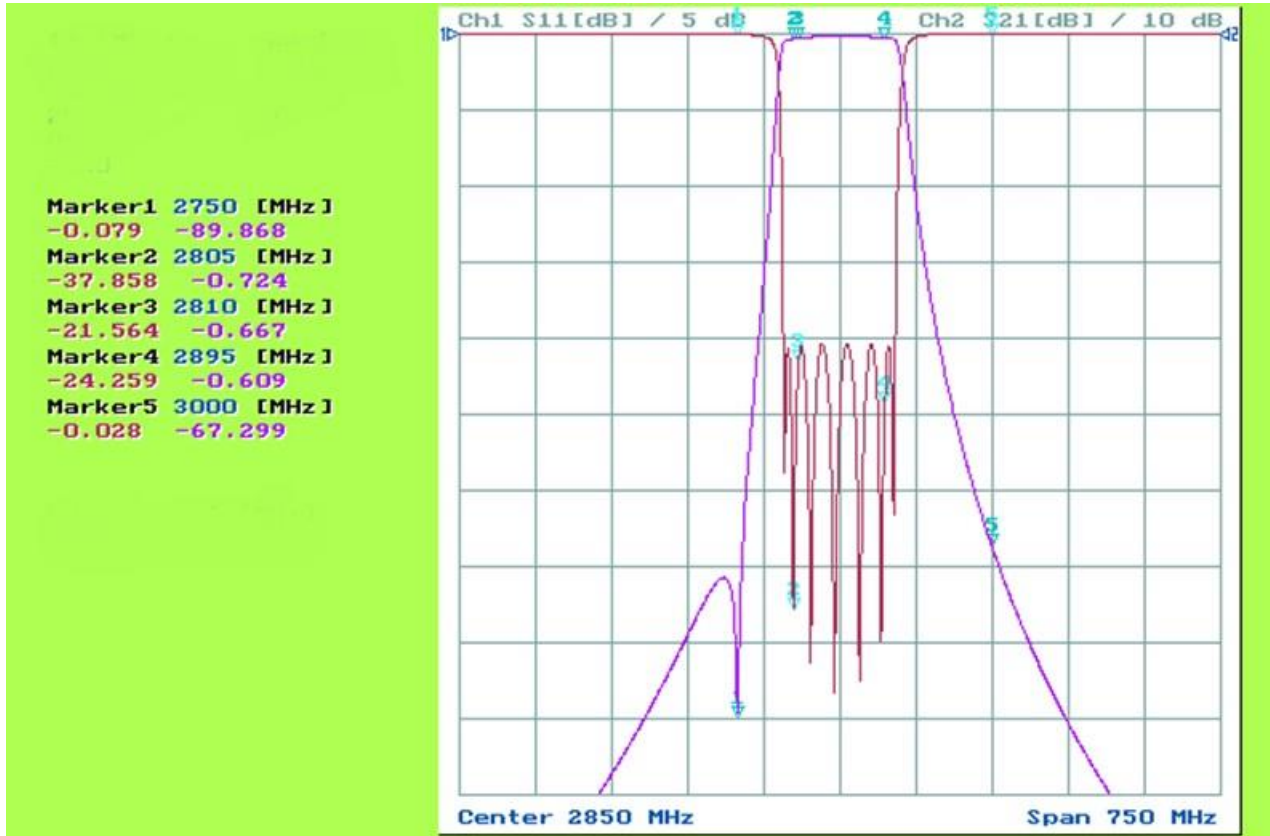
TECHNIWAVE • Chemin de Montfort 78770 THOIRY France • Tél. : +33 (0)1 34 84 37 43 • E-mail : sales@techniwave.com • www.techniwave.com

TECHNIWAVE Proprietary Information • All rights reserved

Revision : 01

Date : November 15, 2015

Typical Performances



Mechanical Specifications

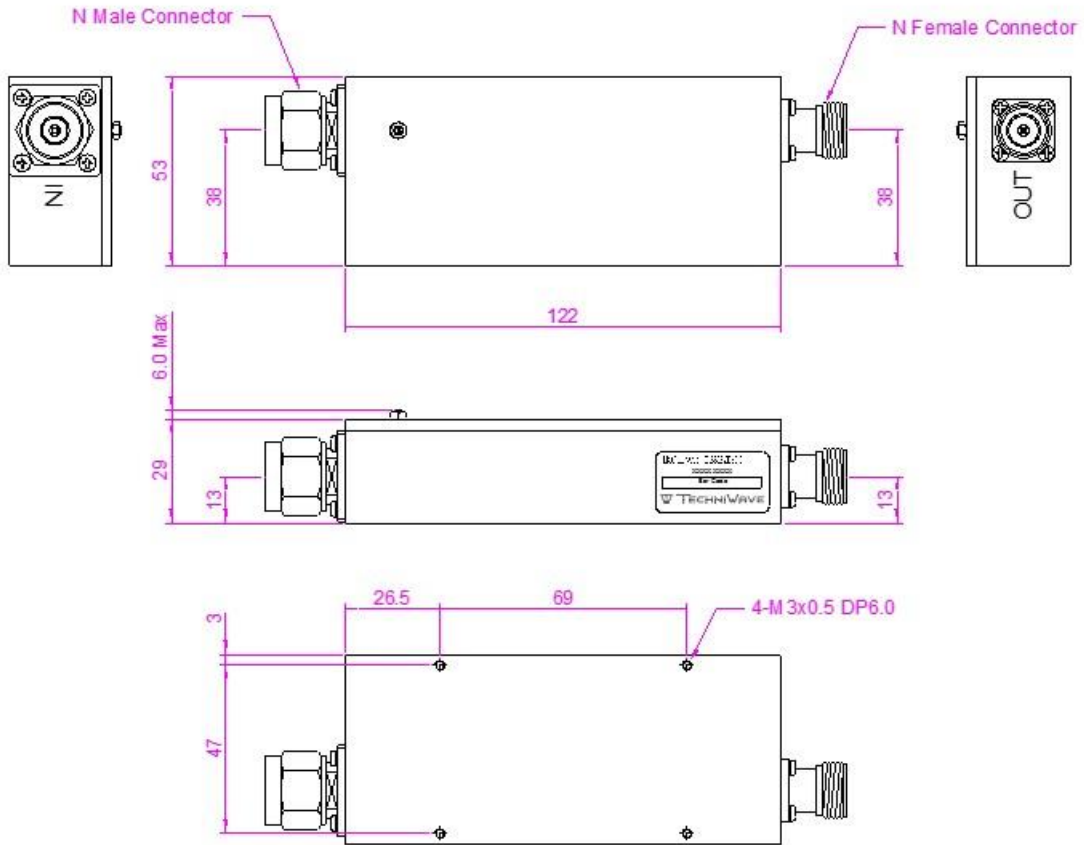
| Parameter          | Unit | Specification   |
|--------------------|------|---|
| Dimension          | mm   | 122 x 53 x 29   |
| Mouting Points     |      | See outline drawing   |
| RF Connector       |      | In port : N male connector<br>Out port : N female Connector |
| Connector Position |      | See outline drawing   |
| Finish             |      | Black color epoxy coating                                   |

Products and Product Information are Subject to Change Without Notice

**TIC-2852.5B95-01**  
**Cavity Band Pass Filter**

**Outline drawing**

All dimensions in mm



Products and Product Information are Subject to Change Without Notice