

# TIX-3700A-250A34

## Dielectric Band Pass Filter

### Typical Applications

- BPF for 3700 MHz Band System

### Main Features

- High Reliability
- RoHS Compliant

### Electrical Specifications

Parameter	Unit	Specification
Center Frequency (F0)	MHz	3700
Number of poles		4
Frequency Range	MHz	250
Insertion Loss	dB	2.0 max
Ripple in BW	dB	0.7 max
Return Loss	dB	15 min
Rejection	dB	5 min @ F0 ± 200 MHz 25 min @ F0 + 300 MHz 40 min @ F0 - 300 MHz 35 min @ F0 + 400 MHz 55 min @ F0 - 400 MHz
Operating Power	W	3 max CW
In/Out Impedance	Ohm	50 nominal

### Environment

Parameter	Unit	Specification
Operating Temperature	°C	-40°C to +85°C

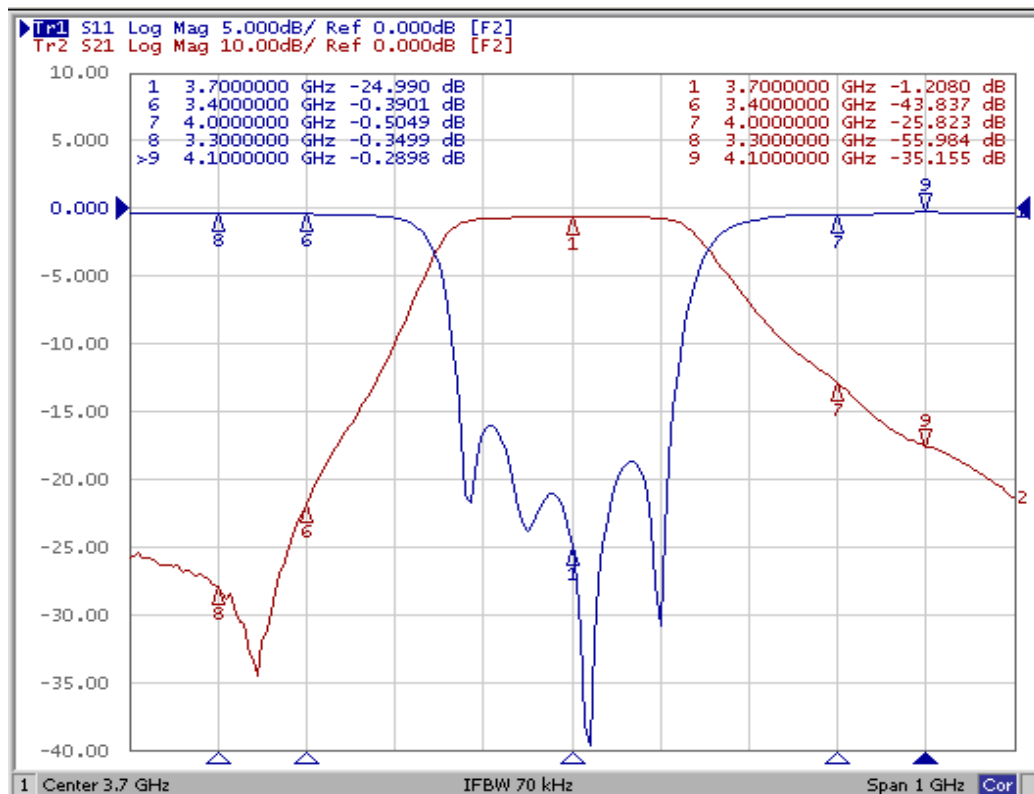
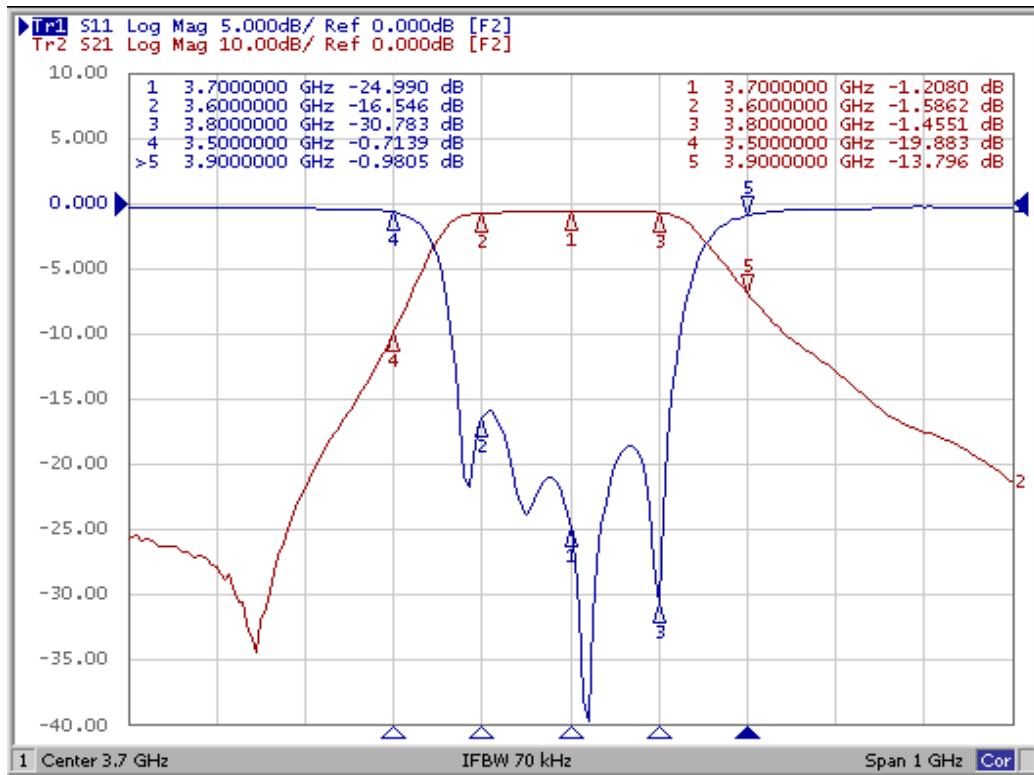
### Mechanical Specifications

Parameter	Unit	Specification
Dimension	mm	12 x 13 x 4

Products and Product Information are Subject to Change Without Notice

Typical Performances

Dielectric Band Pass Filter

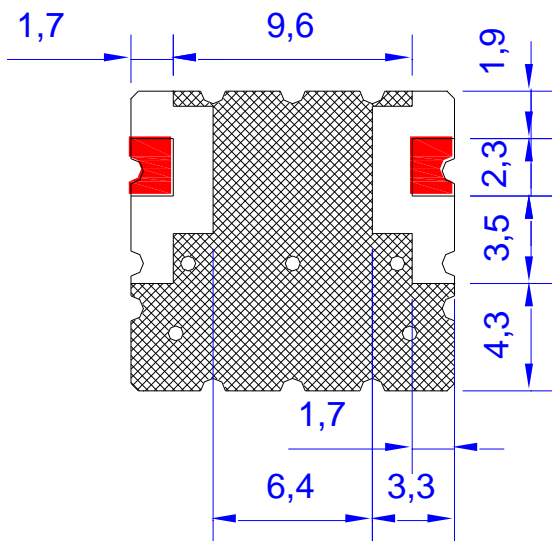
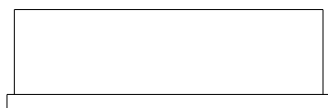
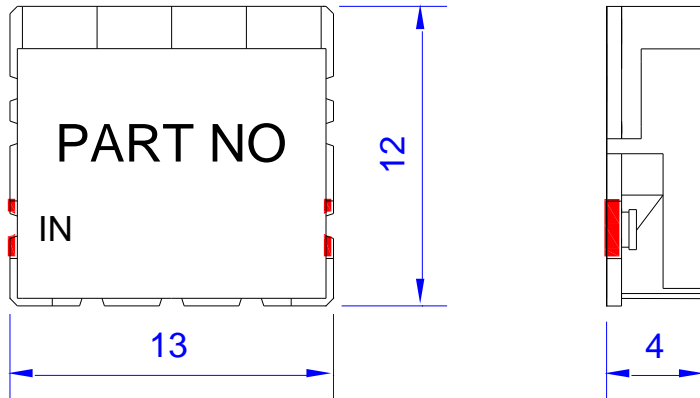


Products and Product Information are Subject to Change Without Notice

**TIX-3700A-250A34**  
**Dielectric Band Pass Filter**

**Outline drawing**

All dimensions in mm



 IN / OUT TOLERANCE  
 UNLESS  
 GROUND SPECIFIED : +/-0.2 mm

Products and Product Information are Subject to Change Without Notice